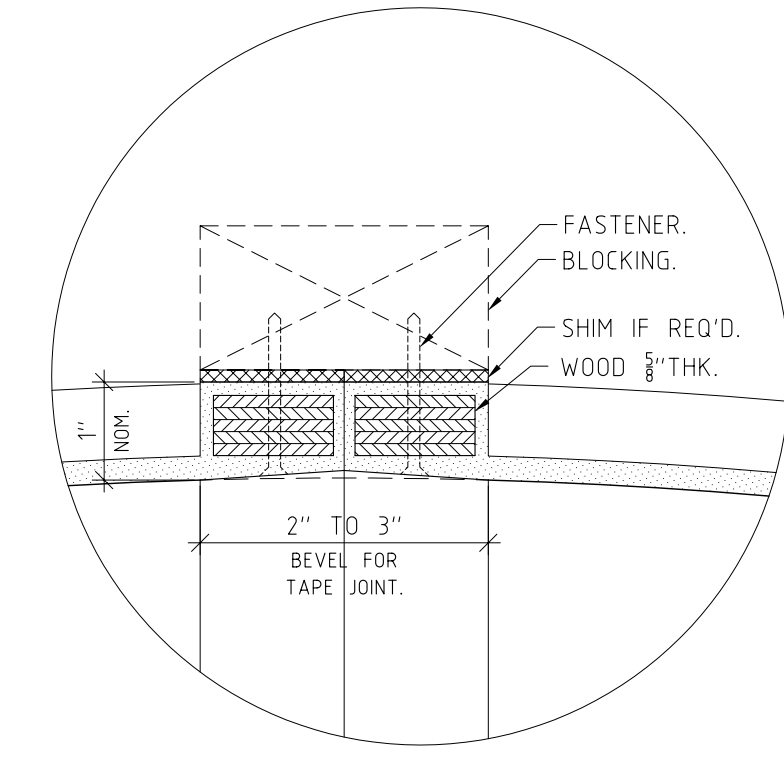
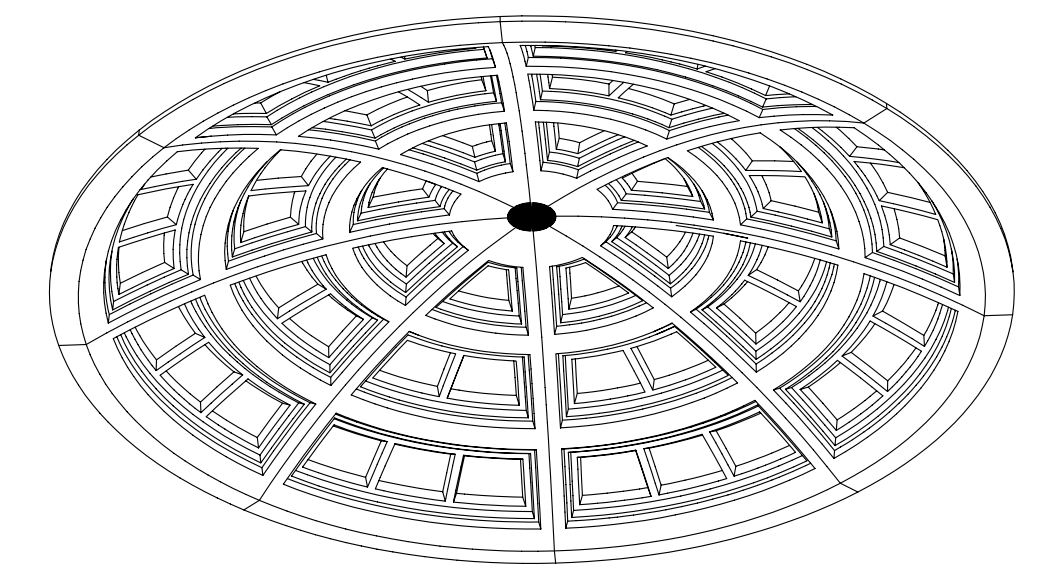


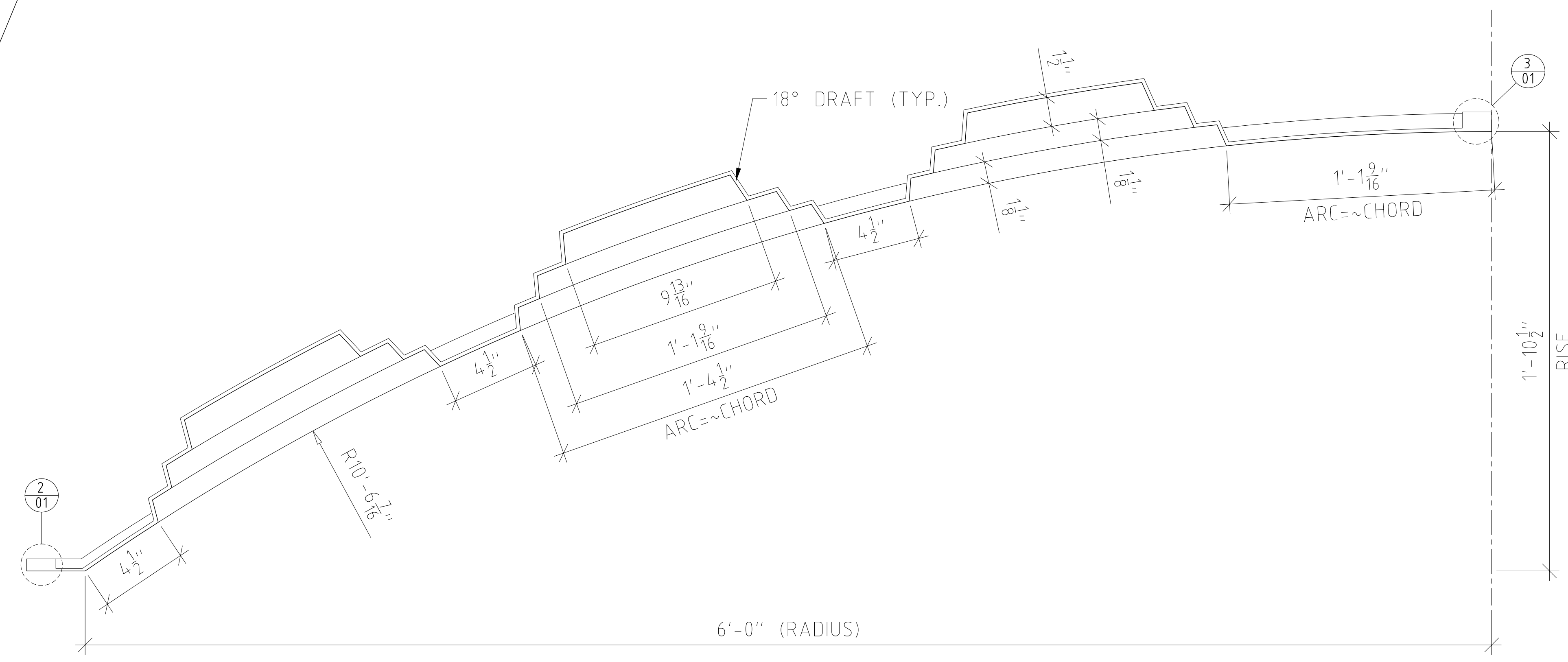
2 FLANGE DETAIL
01 SCALE: 6"=1'-0"



3 FLANGE DETAIL
01 SCALE: 6"=1'-0"



5 DOME PERSPECTIVE VIEW
01 SCALE: N.T.S.



4 DOME SECTION VIEW
01 SCALE: 3"=1'-0"

1 DOME SLICE RCP
01 SCALE: 3"=1'-0"

NOTE:
THE MOLD TO BE MADE FOR A 45° SLICE AND DAMMED BY 1/16" INWARD FROM BOTH STRAIGHT SIDES.

ZONE	REV	DESCRIPTION	DATE	APPROVED
REVISIONS				
PetraDesign Inc.				
PROJECT COPPERED DOME, 12'-0" DIA				
SIZE D	DWG NO. 101207		REV 0	
SCALE:		DATE: NOVEMBER 11, 2007		SHEET: 01